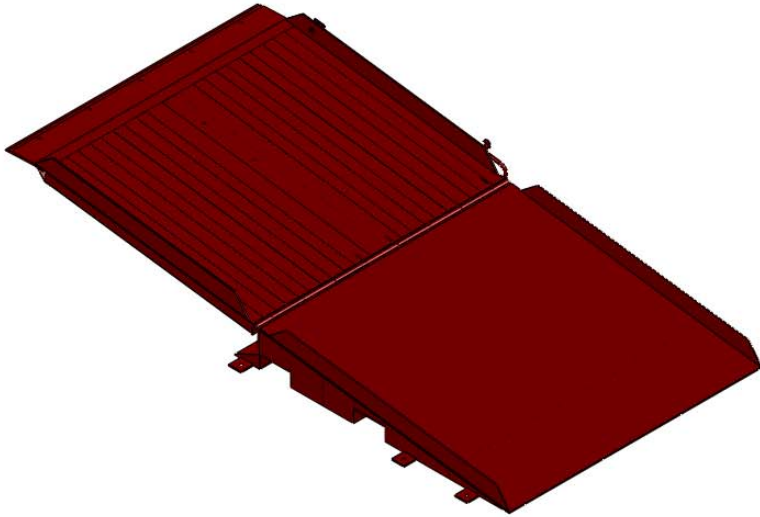
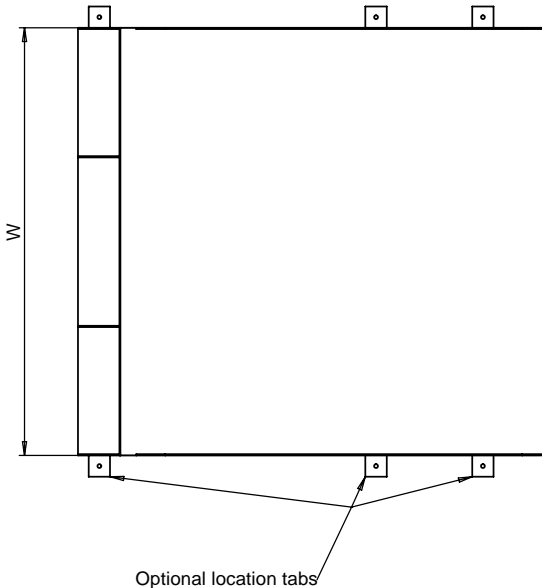


PART No: TOPR-20xx

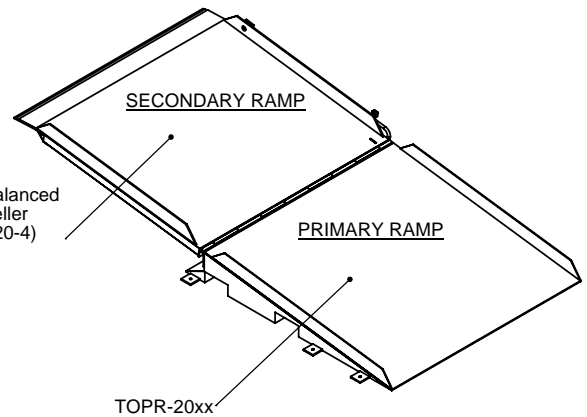


The Drawbridge Leveller Ramp Combination is ideal for catering for larger height differences, achieving the the European Standard 7° incline without requiring one long ramp, which is difficult to store. Storage space is minimal as the leveller is stored in the vertical position.

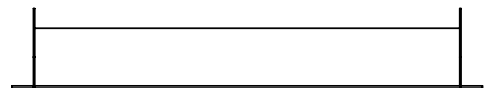
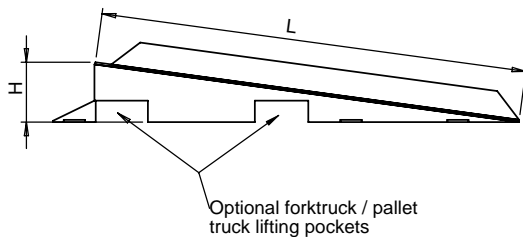
MATERIAL	Steel
WEIGHT	Model dependant
ESTIMATED LEADTIME	4 - 5 weeks
OPTIONAL EXTRAS	<ul style="list-style-type: none"> * <u>Required</u> - Counterbalance leveller (secondary ramp) * Safety Handrails * Locating tabs for securing to ground * Forktruck / pallet truck lifting pockets (sized to suit)



CBDL Counterbalanced Drawbridge Leveller (Typically TO2020-4)



Model No.	Width W (mm)	Length L (mm)	Height H (mm)
TOPR-2020	2000	2000	250
TOPR-2030	2000	3000	375
TOPR-2040	2000	4000	500



SPECIAL SIZES AVAILABLE ON REQUEST

All dimensions shown are in millimetres and are intended for reference purposes only; exact product measurements may vary due to applied tolerances and methods of manufacture

