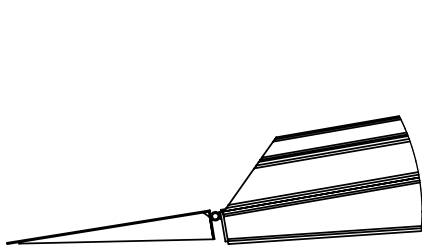
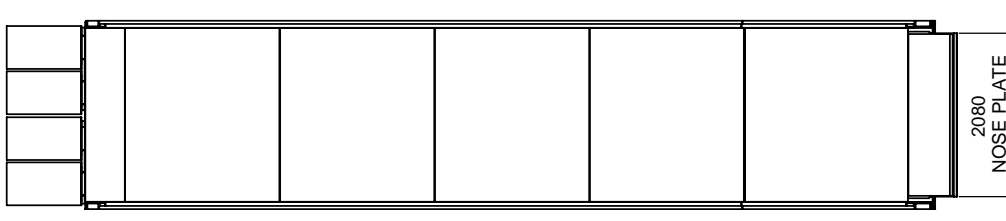
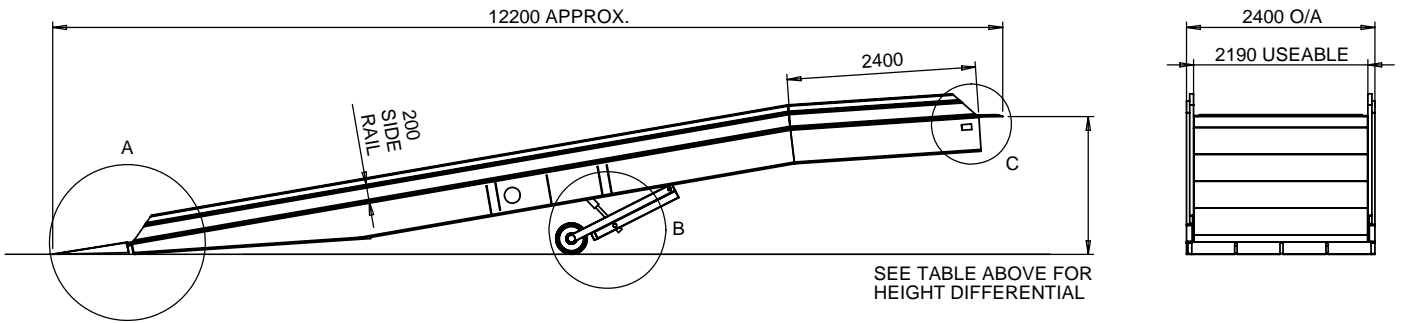
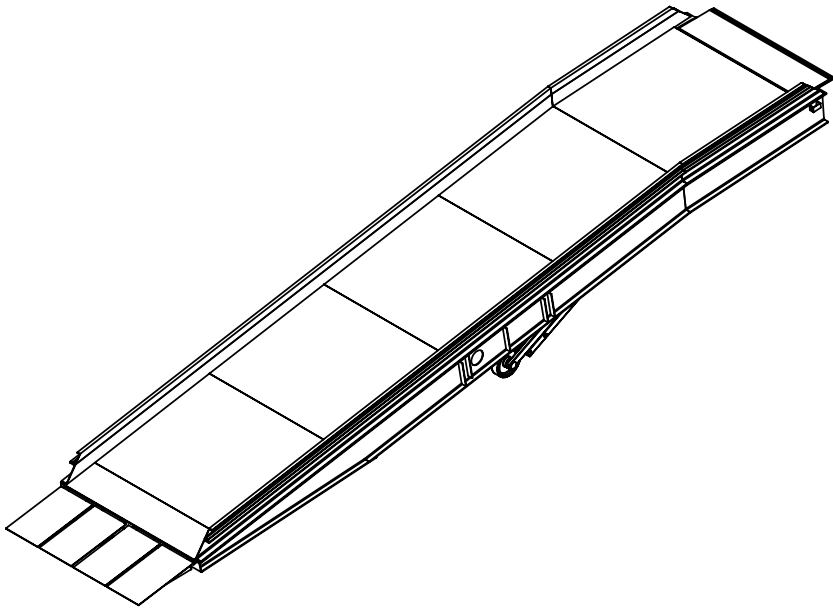


PART No: SMY-33-9040-FW-6

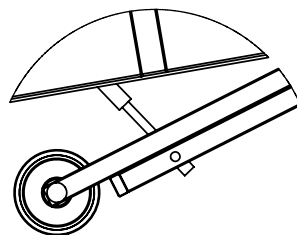
Fifteen Tonne Type 6 Mobile Yard ramp. A standard unit with fold down entry ramps, intergrated safety side beams, built in tow bar & manual hydraulic height adjustment for fast & efficient loading operations.

CLASS	SUPER DELUXE		
CAPACITY	15000 Kg		
ESTIMATED LEADTIME	EX STOCK		
OPTIONAL EXTRAS	Wheel Chocks, Trailer Safety Jack		
HEIGHT DIFFERENTIAL (mm)	MIN POSS.	MAX POSS.	MAX RECOMM.
	890	1680	1250



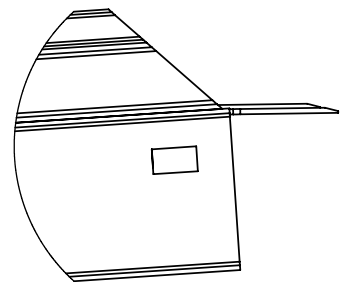
DETAIL A

HINGED ENTRY RAMPS ALLOWING ACCESS TO TOW BAR



DETAIL B

HYDRAULIC UNDERCARRIAGE FOR FAST AND RELIABLE MANUAL HEIGHT ADJUSTMENT



DETAIL C

EXIT LIP AND CHAIN TENSIONING BRACKET FOR SAFE & SECURE LOADING / UNLOADING

All dimensions shown are in millimetres and are intended for reference purposes only; exact product measurements may vary due to applied tolerances and methods of manufacture

