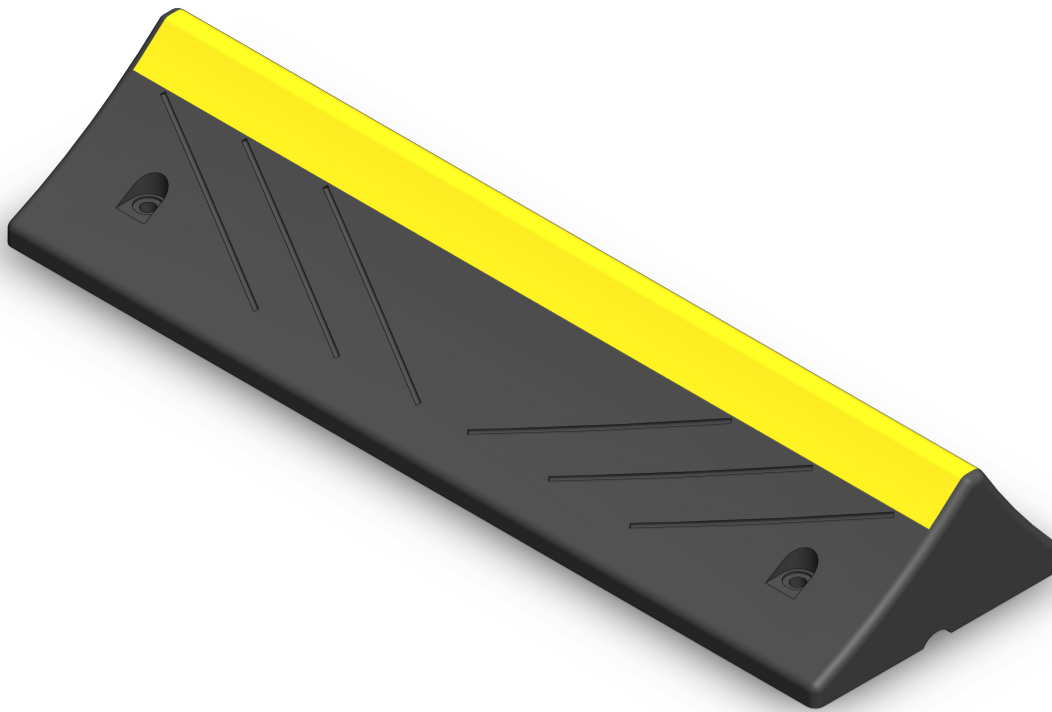
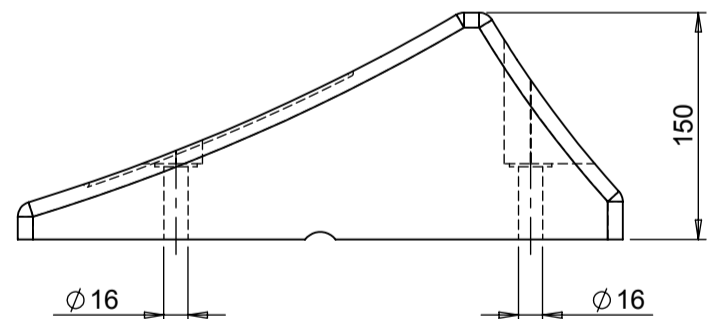
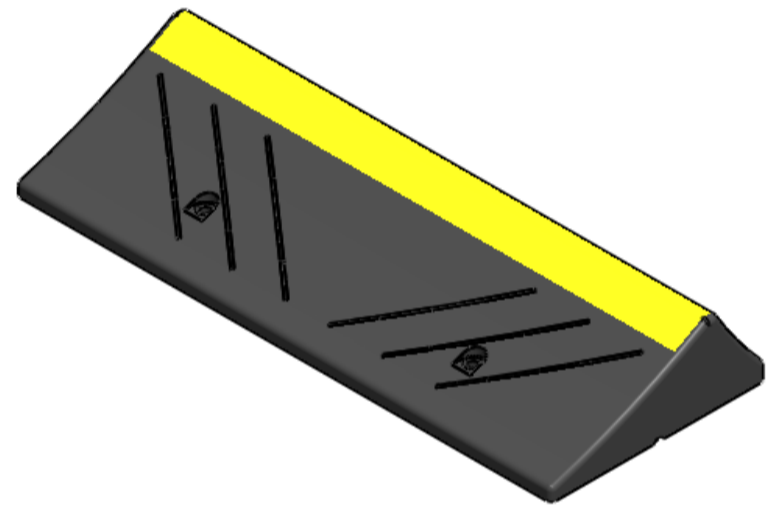
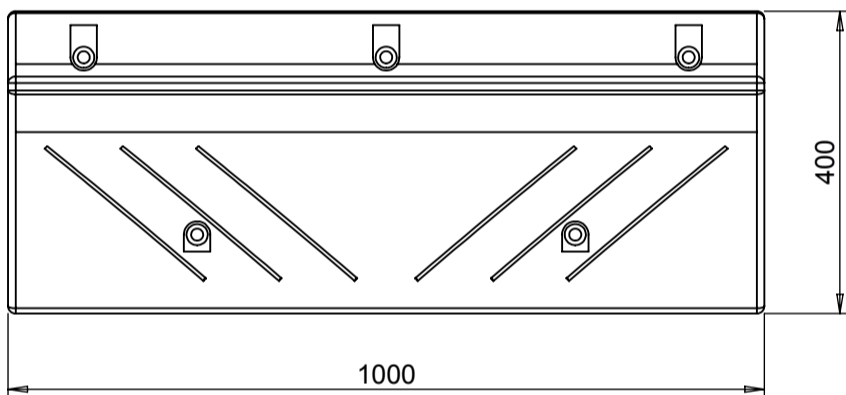


## PART No: TWVR-3-2



Ideal for installation in distribution, warehouse and parking facilities to act as an end stop to accurately and safely stop vehicles and prevent impact with site facilities. Smaller Car Stopper available for smaller vehicles.

MATERIAL	Recycled Rubber
WEIGHT	25Kg
ESTIMATED LEADTIME	1-2 Weeks
OPTIONAL EXTRAS	Fixings - ask for details



All dimensions shown are in millimetres and are intended for reference purposes only; exact product measurements may vary due to applied tolerances and methods of manufacture

