

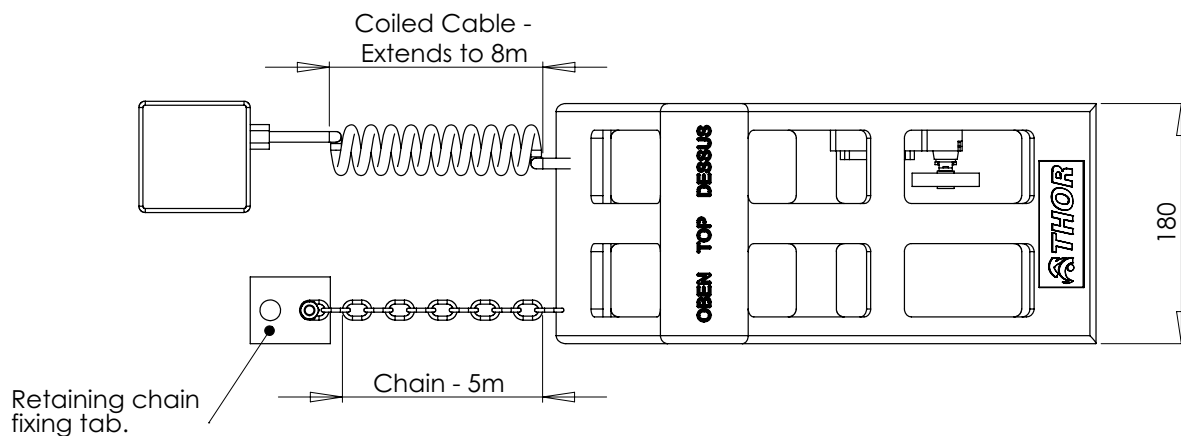
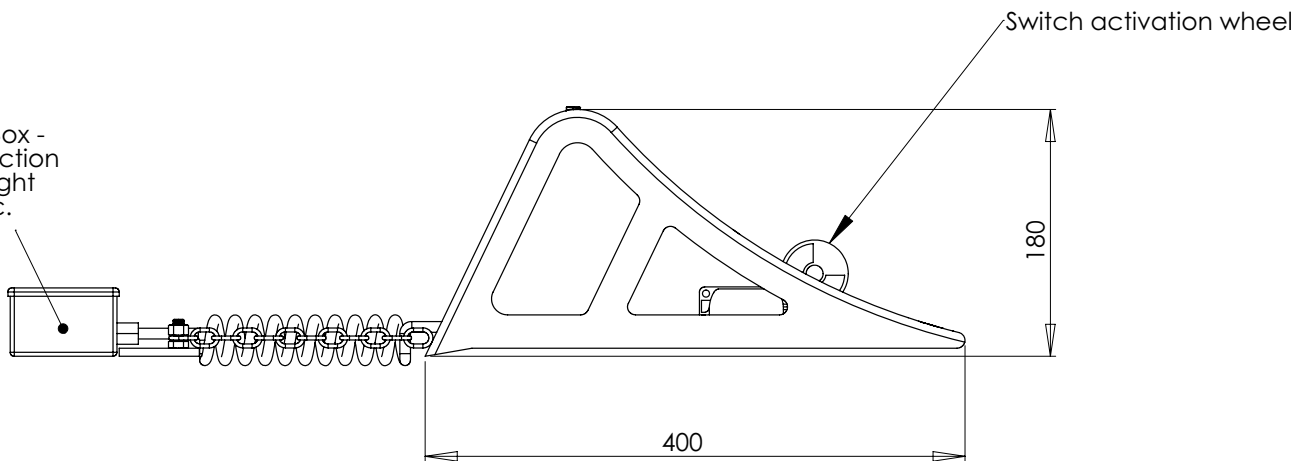
## PART No: TWC-5



An aluminium wheel chock with a switch incorporated which can be connected to Traffic Lights, Dock Levellers, Doors and many more, to identify when a vehicle is in position.

MATERIAL	Cast Aluminium
WEIGHT	5 Kg
ESTIMATED LEADTIME	EX STOCK
OPTIONAL EXTRAS	Any traffic light system

Junction Box -  
For connection  
to traffic light  
system etc.



All dimensions shown are in millimetres and are intended for reference purposes only; exact product measurements may vary due to applied tolerances and methods of manufacture



Telephone: +44 (0) 1246 260981

Fax: +44 (0) 1246 260493

Email: [info@thorworld.co.uk](mailto:info@thorworld.co.uk)