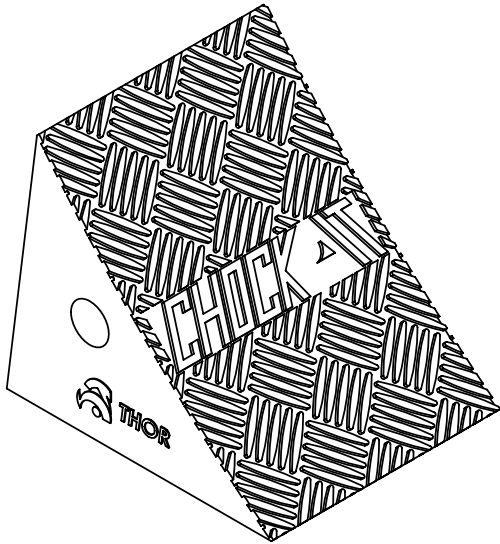
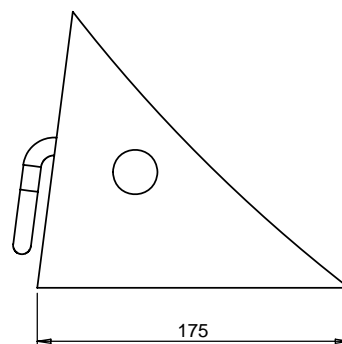
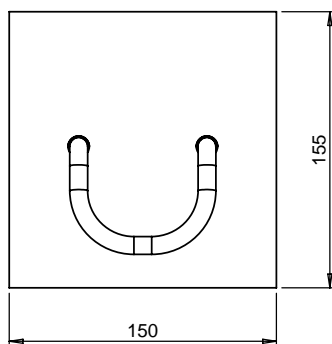
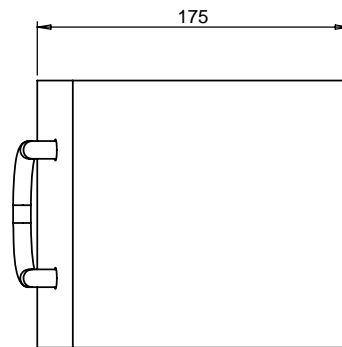
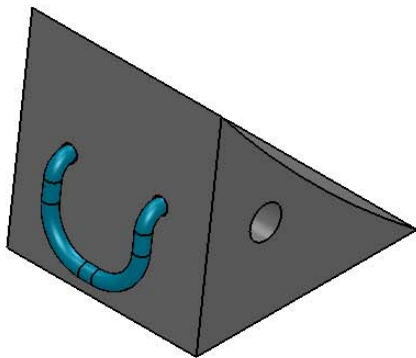


PART No: TWC-8



Wheel Chocks are a low cost effective way of preventing the unexpected movement of vehicles whilst either parked or being unloaded and loaded. This product comes with a built in lifting handle and safety grip face for maximum adhesion between vehicle wheel and chock.

MATERIAL	Rubber with Nylon rope handle
WEIGHT	3.5Kg
ESTIMATED LEADTIME	Ex-Stock
INFO	This particular product has been specifically designed for use with our Mobile Yard Ramps.



Tread pattern omitted for clarity

All dimensions shown are in millimetres and are intended for reference purposes only; exact product measurements may vary due to applied tolerances and methods of manufacture

