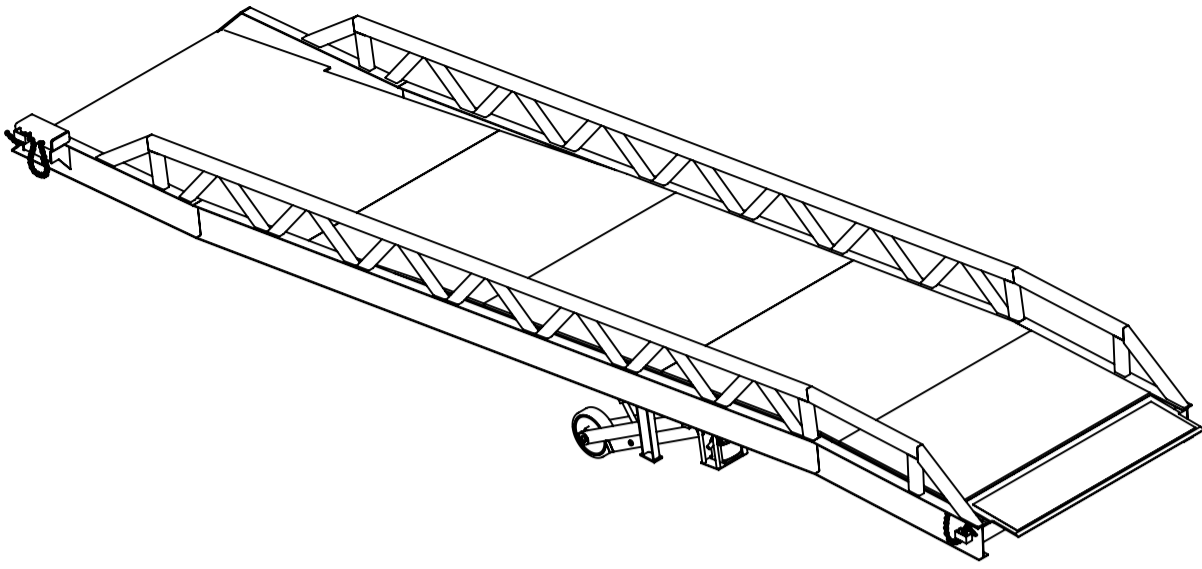
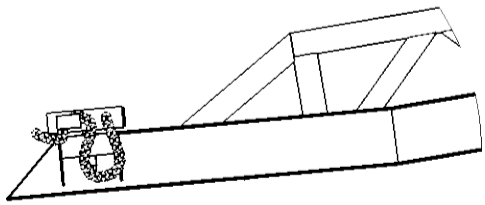
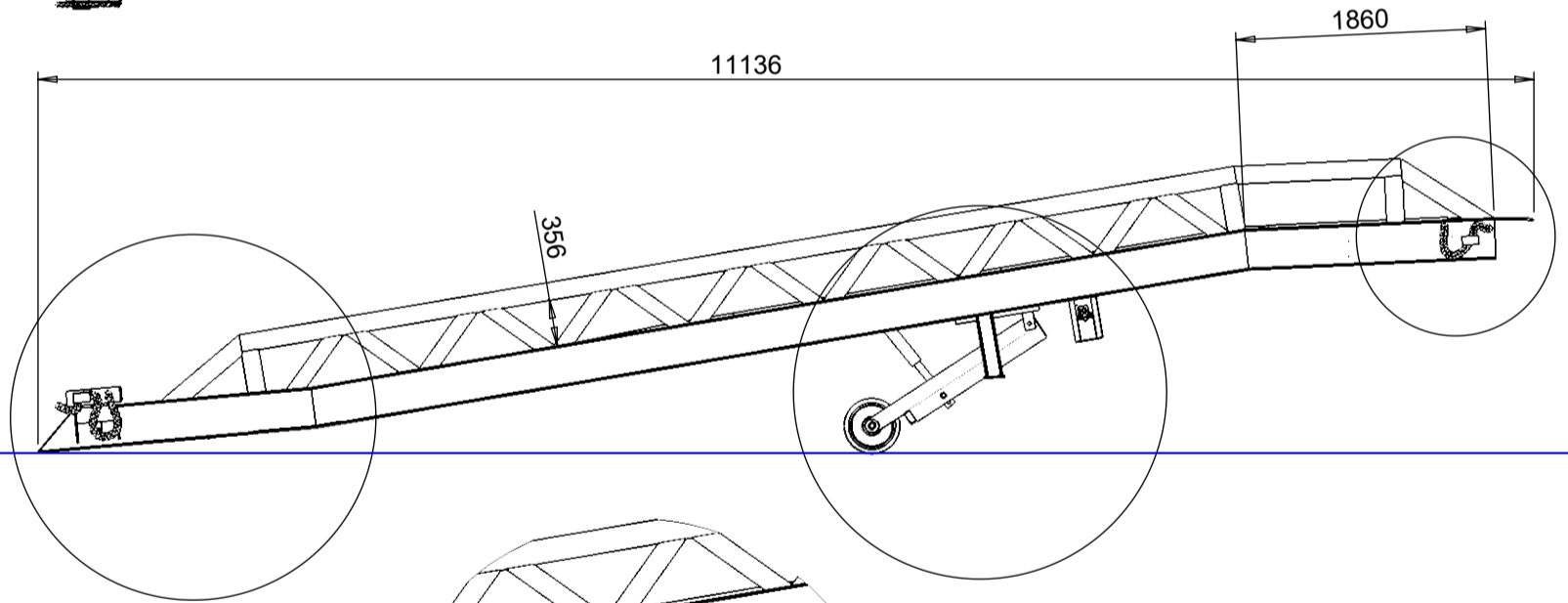
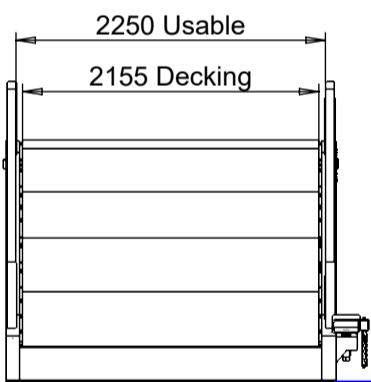
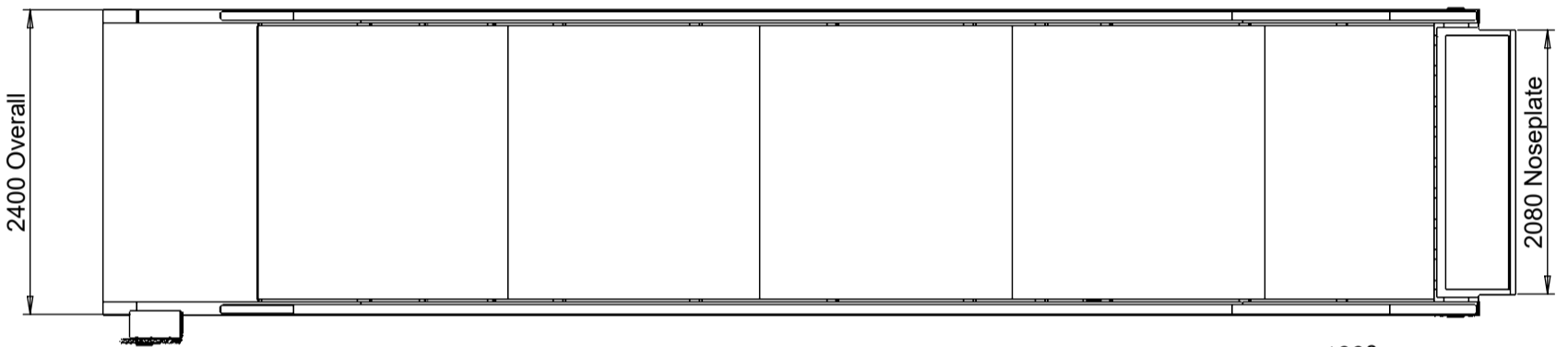


PART No: SMY249036FW11

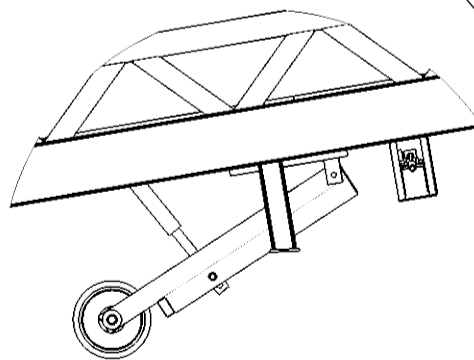


Ten tonne type 11 mobile yard ramp. A standard unit with an Integrated entry ramp, high structural warren truss safety side rail, tow attachment, & manual hydraulic height adjustment for fast & efficient loading operations.

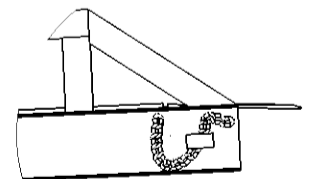
MATERIAL	Steel
WEIGHT	3,600 Kg
ESTIMATED LEADTIME	-
Height Variation	Min = 950mm Max Recommended= 1250mm Max = 1680mm
OPTIONAL EXTRAS	Chocks, Handrails, 2400mm Level off



INTEGRATED ENTRY RAMP AND PUSH-PULL TYPE TOW BAR ATTACHMENT FOR FORK TRUCKS



HYDRAULIC UNDERCARRIAGE FOR FAST & RELIABLE MANUAL HEIGHT ADJUSTMENT



EXIT LIP AND CHAIN TENSIONING BRACKET FOR SAFE AND SECURE LOADING / UNLOADING

All dimensions shown are in millimetres and are intended for reference purposes only; exact product measurements may vary due to applied tolerances and methods of manufacture

The Intellectual Property, Design Patents, Copyright and Commercial Rights of this drawing remain the private property of Thorworld Industries Ltd and may not be copied, replicated or used by any Third Parties without prior written approval.

