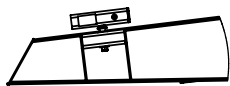
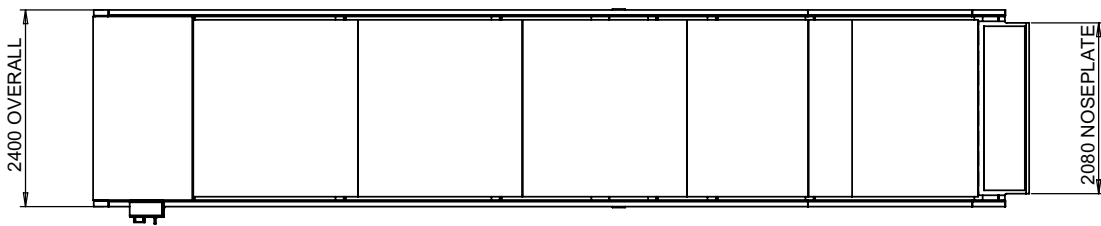
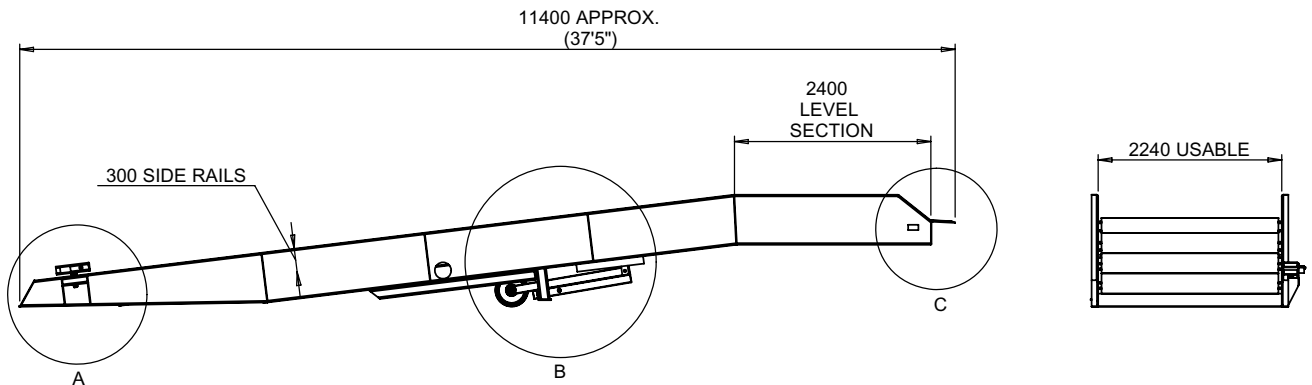
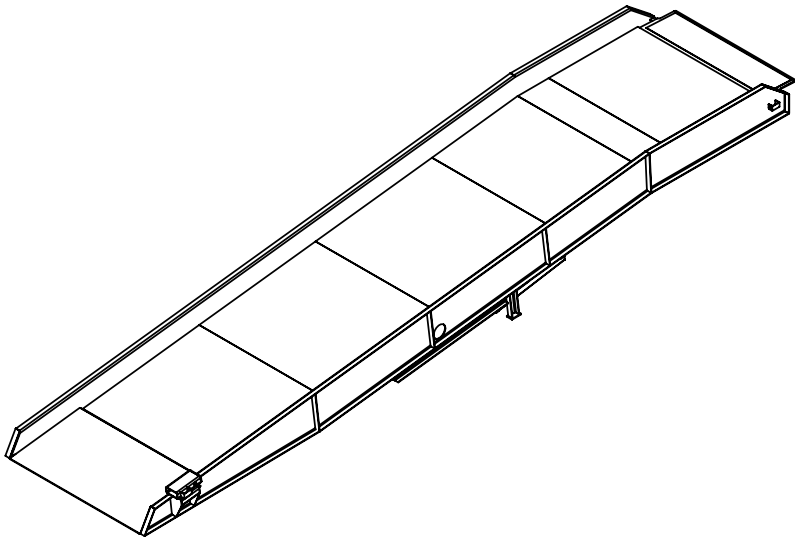


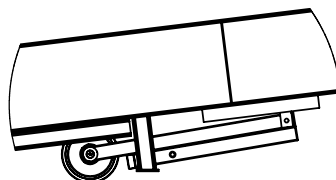
PART No: SMY249037FW7

Ten Tonne Type 7 mobile yardramp. A deluxe unit with integrated entry ramp, integrated high safety side beams, push/pull tow bar & manual hydraulic height adjustment for fast & efficient operations

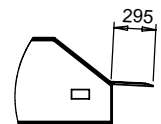
CLASS	DELUXE
CAPACITY	10000 Kg
ESTIMATED LEADTIME	-
HEIGHT DIFFERENTIAL	890mm (min.) 1070mm (rec.) 1680mm (max.)
OPTIONAL EXTRAS	TWC-1 Vehicle Wheel Chock TWC-8 Yardramp Wheel Chock TWCJ-4253 Trailer Safety Jack



DETAIL A
TOW BAR FOR EASE OF MOVEMENT AND ACCURATE POSITIONING OF RAMP



DETAIL B
HYDRAULIC UNDERCARRIAGE FOR FAST AND RELIABLE MANUAL HEIGHT ADJUSTMENT



DETAIL C
EXIT LIP AND CHAIN TENSING BRACKET FOR SAFE & SECURE LOADING / UNLOADING

All dimensions shown are in millimetres and are intended for reference purposes only; exact product measurements may vary due to applied tolerances and methods of manufacture

